

P230S

Pressurised-water temperature control unit up to 230 °C

- Control system RT100 or RT200
- Pumps with high pumping capacity: 40 l/min
- Patented low-scale cooling system "SK"
- Patented heater pressure stabiliser
- Leak-free pump with magnetic coupling
- Solid-state relay instead of heating contactor



Heat transfer medium	Outlet temperature	Heating capacity at 400V	Cooling capacity		Pump capacity/Type		
Water	230 °C	8 kW	220 °C	88 kW	PM23H	40 l/min	1.1 kW



Regloplas AG

Flurhofstrasse 158 • 9006 St.Gallen • Schweiz • T +41 71 2825800
 F +41 71 2825840 • info@regloplas.com • www.regloplas.com

Technical data		
Outlet temperature		
max.	°C	230
Heat transfer medium		Water
Filling quantity	l	1.5
Expansion volume	l	-
Heating capacity at 400V	kW	8
Cooling capacity	kW	88
Cooler		SK
at outlet temperature	°C	220
at cooling water temperature	°C	20
Pump capacity/Type		PM23H
Flow rate max.	l/min	40
Power consumption	kW	1.1
Pressure max.	bar	5.0
Control system		RT100 / RT200
Measuring mode (Standard)		Pt100
Operating voltage	V/Hz	200-600 V, 50/60 Hz
Connections		
Outlet/Inlet		G1/2" /SAE1"
Cooling water mains		G1/2"
Degree of protection		IP54
Dimensions W/H/D	mm	297/711/971
Weight	kg	90
Color	RAL	9006/7016
Ambient temperature		
max.	°C	40
Noise level	db (A)	< 70

Standard equipment

Patented heater pressure stabiliser
 Solid-state relay (SSR) instead of heating contactor
 Filter in the main circuit
 Drainage of the fluid from the consumer by suction
 Leak-free pump
 Patented low-scale cooling system "SK"
 Unit in IP54 protection degree



Regloplas AG

Flurhofstrasse 158 • 9006 St.Gallen • Schweiz • T +41 71 2825800
 F +41 71 2825840 • info@regloplas.com • www.regloplas.com

Options

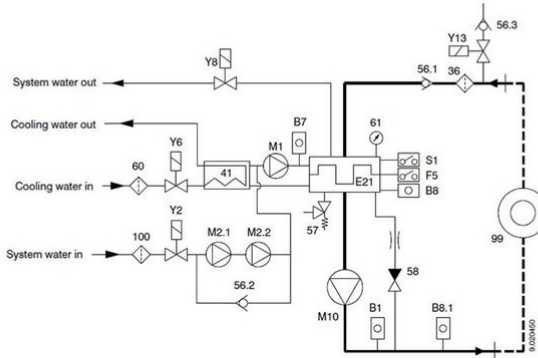
Electronic flow measurement

Manual shut-off valve in the inlet and outlet



Regloplas AG

Flurhofstrasse 158 • 9006 St.Gallen • Schweiz • T +41 71 2825800
F +41 71 2825840 • info@regloplas.com • www.regloplas.com



- | | | | |
|--------------------------|--------------------------------|-------------------------------|---|
| 36 Filter main circuit | 60 Filter cooling circuit | B8.1 Outlet pressure sensor | S1 Level control |
| 41 Cooler | 61 Pressure gauge | E21 Heater | Y2 Solenoid valve, automatic water refill |
| 56.1 One-way check valve | 99 Consumer | F5 Safety thermostat | Y6 Solenoid valve, cooling |
| 56.2 One-way check valve | M1 Filter system water | M1 Cooling pump (cooler "SK") | Y8 Solenoid valve, pressure release |
| 56.3 One-way check valve | B1 Temperature sensor internal | M2.1 Filling pump | Y13 Solenoid valve, consumer drainage |
| 57 Safety valve | B7 SK cooling sensor | M2.2 Filling pump | |
| 58 Bypass | B8 System pressure sensor | M10 Pump | |
-
- | | | | |
|--------------------------|----------------------------------|-------------------------------|--|
| 36 Filter Hauptkreislauf | 60 Filter Kühlkreislauf | B8.1 Drucksensor Vorlaufdruck | S1 Niveauekontrolle |
| 41 Kühler | 61 Manometer | E21 Heizung | Y2 Magnetventil automatische Wassernachfüllung |
| 56.1 Rückschlagventil | 99 Verbraucher | F5 Sicherheitsthermostat | Y6 Magnetventil Kühlung |
| 56.2 Rückschlagventil | 100 Filter Systemwasser | M1 Kühlpumpe (Kühler "SK") | Y8 Magnetventil Druckentlastung |
| 56.3 Rückschlagventil | B1 Temperaturfühler intern | M2.1 Füllpumpe | Y13 Magnetventil Absaugung |
| 57 Sicherheitsventil | B7 Temperaturfühler Kühlung "SK" | M2.2 Füllpumpe | |
| 58 Bypass | B8 Drucksensor Systemdruck | M10 Pumpe | |

Diagram (Pump capacity PM23H)

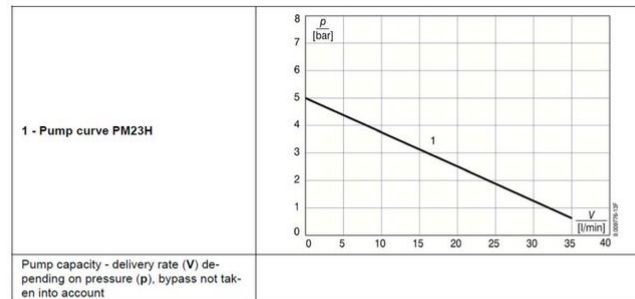
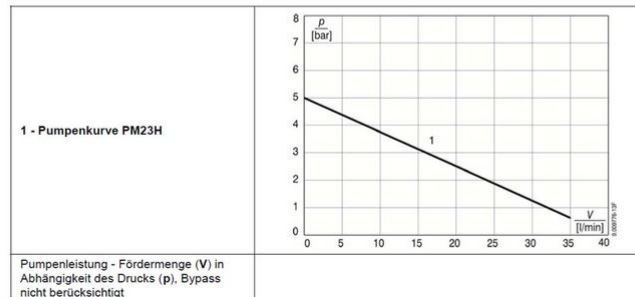


Diagramm (Pumpenleistung PM23H)



Regloplas AG

Flurhofstrasse 158 • 9006 St.Gallen • Schweiz • T +41 71 2825800
F +41 71 2825840 • info@regloplas.com • www.regloplas.com