

## 90XL

The temperature control unit for water up to 90 °C

- Control system RT100
- Control system RT100High heating capacity up to 60 kW
- Direct cooling: maximum cooling capacity
- Pump with high pumping capacity: 200 l/min



Heat transfer medium	Outlet temperature	Heating capacity at 400V	Cooling capacity		Pump capacity/Type		
			80 °C	160 kW			
Water	90 °C	20 / 40 / 60 kW			CR 5-3	140 l/min	0.55 kW
					CR5-8	140 l/min	1.1 kW
					CR10-4	200 l/min	1.5 kW
					CR 10-8	200 l/min	3.0 kW

Technical data					
<b>Outlet temperature</b>					
max.	°C	90			
<b>Heat transfer medium</b>		Water			
Filling quantity	l	36.5			
Expansion volume	l	5.5			
<b>Heating capacity at 400V</b>	kW	20 / 40 / 60			
<b>Cooling capacity</b>	kW	160			
Cooler		DK			
at outlet temperature	°C	80			
at cooling water temperature	°C	20			
<b>Pump capacity/Type</b>		CR 5-3	CR5-8	CR10-4	CR 10-8
Flow rate max.	l/min	140	140	200	200
Power consumption	kW	0.55	1.1	1.5	3.0
Pressure max.	bar	2.0	5.4	4.4	8.7
<b>Control system</b>		RT100			
Measuring mode (Standard)		Pt100			
<b>Operating voltage</b>	V/Hz	200-600 V, 50/60 Hz			
<b>Connections</b>					
Outlet/Inlet		G1 1/2"IG			
Cooling water mains		G3/4"			
<b>Degree of protection</b>		IP54			
<b>Dimensions W/H/D</b>	mm	436/1357/1387			
<b>Weight</b>	kg	229-275			
<b>Color</b>	RAL	9006/7016			
<b>Ambient temperature</b>					
max.	°C	40			
<b>Noise level</b>	db (A)	< 70			



Regloplas AG

Flurhofstrasse 158 • 9006 St.Gallen • Schweiz • T +41 71 2825800  
F +41 71 2825840 • info@regloplas.com • www.regloplas.com

## Standard equipment

Manual shut-off valve in the inlet and outlet  
Filter in the cooling water circuit  
Water circuit of non-rusting materials  
Automatic water refill  
Solid-state relay (SSR) instead of heating contactor  
Unit in IP54 protection degree  
Direct cooling (DK)

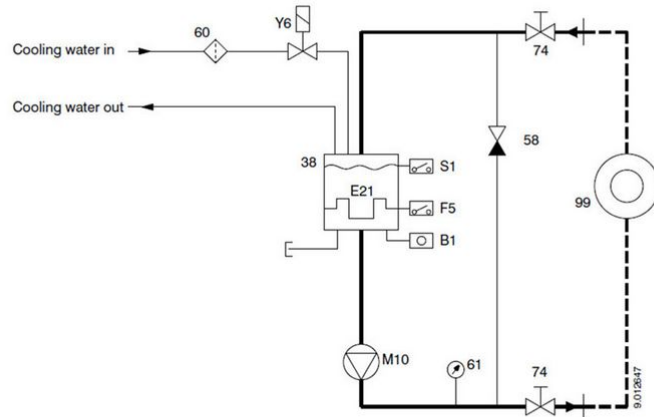
## Options

Electronic flow measurement  
Leak-free pump



Regloplas AG

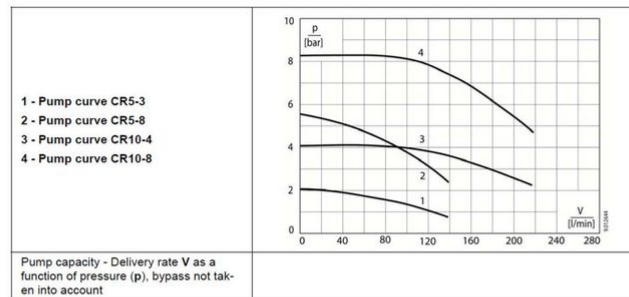
Flurhofstrasse 158 • 9006 St.Gallen • Schweiz • T +41 71 2825800  
F +41 71 2825840 • [info@regloplas.com](mailto:info@regloplas.com) • [www.regloplas.com](http://www.regloplas.com)



38 Tank	99 Consumer	S1 Level control
58 Bypass	B1 Temperature sensor internal	Y6 Solenoid valve, cooling
60 Filter cooling circuit	E21 Heater	
61 Pressure gauge	F5 Safety thermostat	
74 Hand valve	M10 Pump	

38 Behälter	99 Verbraucher	S1 Niveaueontrolle
58 Bypass	B1 Temperaturfühler intern	Y6 Magnetventil Kühlung
60 Filter Kühlkreislauf	E21 Heizung	
61 Manometer	F5 Sicherheitsthermostat	
74 Handventil	M10 Pumpe	

## Graph (pump capacity)



## Diagramm (Pumpenleistung)

