

150smart

The temperature control unit for oil up to 150 °C and water up to 90 °C

- RT70 control system with 3.5" TFT display
- Simple to operate
- Pump with high pumping capacity: 60 l/min, optional 70 l/min
- Immersion pump
- Solid-state relay instead of heating contactor



Heat transfer medium		Outlet temperature		Heating capacity at 400V 6 kW	Cooling capacity		Pump capacity/Type		
Water	Oil	90 °C	150 °C		80 °C	38 kW	TP20	60 l/min	0.5 kW
				140 °C	29 kW	TS22	70 l/min	0.92 kW	

Technical data			
Outlet temperature			
max.	°C	90	150
Heat transfer medium		Water	Oil
Filling quantity	l	7.5	7.5
Expansion volume	l	4.5	4.5
Heating capacity at 400V	kW	6	
Cooling capacity	kW	38	29
Cooler		1K	1K
at outlet temperature	°C	80	140
at cooling water temperature	°C	20	20
Pump capacity/Type		TP20	TS22
Flow rate max.	l/min	60	70
Power consumption	kW	0.5	0.92
Pressure max.	bar	3.8	5.4
Control system		RT34 / RT70	
Measuring mode (Standard)		Pt100	
Operating voltage	V/Hz	200-600/50-60	
Connections			
Outlet/Inlet		G1/2"	
Cooling water mains		G1/2"	
Degree of protection		IP40	
Dimensions W/H/D	mm	202/560/661	
Weight	kg	50	
Color	RAL	9006/7016	
Ambient temperature			
max.	°C	40	
Noise level	db (A)	< 70	



Regloplas AG

Flurhofstrasse 158 • 9006 St.Gallen • Schweiz • T +41 71 2825800
F +41 71 2825840 • info@regloplas.com • www.regloplas.com

Standard equipment

RT70 control system with 3.5" TFT display
Solid-state relay (SSR) instead of heating contactor
Immersion pump
Indirect cooling
Filling tube
Filter in the cooling water circuit
Drainage of the fluid from the consumer by suction
Unit in IP40 protection degree

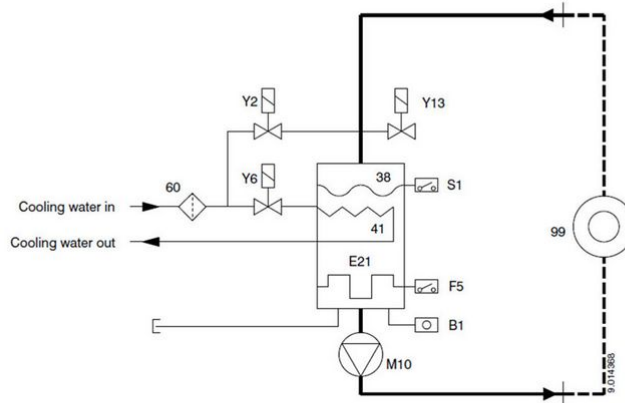
Options

Magnetic valve in inlet, one way check-valve in outlet
Electronic flow measurement



Regloplas AG

Flurhofstrasse 158 • 9006 St.Gallen • Schweiz • T +41 71 2825800
F +41 71 2825840 • info@regloplas.com • www.regloplas.com



- | | | |
|---------------------------|--------------------------------|--|
| 38 Tank | B1 Temperature sensor internal | Y2 Solenoid valve, automatic water refill (option) |
| 41 Cooler | E21 Heater | Y6 Solenoid valve, cooling |
| 60 Filter cooling circuit | F5 Safety thermostat | Y13 Solenoid valve, consumer drainage (option) |
| 99 Consumer | M10 Pump | |
| | S1 Level control | |

- | | | |
|-------------------------|----------------------------|---|
| 38 Behälter | B1 Temperaturfühler intern | Y2 Magnetventil automatische Wassernachfüllung (Option) |
| 41 Kühler | E21 Heizung | Y6 Magnetventil Kühlung |
| 60 Filter Kühlkreislauf | F5 Sicherheitsthermostat | Y13 Magnetventil Absaugung (Option) |
| 99 Verbraucher | M10 Pumpe | |
| | S1 Niveauekontrolle | |

Graph (pump capacity)

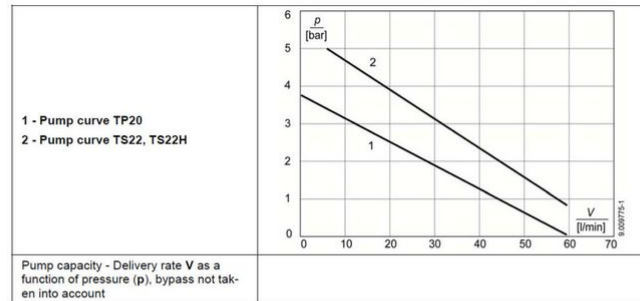


Diagramm (Pumpenleistung)

