

## P181XL

Pressurised-water temperature control unit up to 180 °C

- Control system RT100 or RT200
- Innovative pressure control
- Patented low-scale cooling system "SK"
- Pump with high pumping capacity: 200 l/min
- Modular configuration



Heat transfer medium	Outlet temperature	Heating capacity at 400V	Cooling capacity		Pump capacity/Type		
Water	180 °C	20 / 40 / 60 kW	170 °C	156 kW	SM85H	200 l/min	3.5 kW



Regloplas AG

Flurhofstrasse 158 • 9006 St.Gallen • Schweiz • T +41 71 2825800  
 F +41 71 2825840 • info@regloplas.com • www.regloplas.com

Technical data		
<b>Outlet temperature</b>		
max.	°C	180
<b>Heat transfer medium</b>		Water
Filling quantity	l	10
Expansion volume	l	5.0
<b>Heating capacity at 400V</b>	kW	20 / 40 / 60
<b>Cooling capacity</b>	kW	156
Cooler		SK
at outlet temperature	°C	170
at cooling water temperature	°C	20
<b>Pump capacity/Type</b>		SM85H
Flow rate max.	l/min	200
Power consumption	kW	3.5
Pressure max.	bar	8.5
<b>Control system</b>		RT100 / RT200
Measuring mode (Standard)		Pt100
<b>Operating voltage</b>	V/Hz	200-600/50-60
<b>Connections</b>		
Outlet/Inlet		G1 1/2"IG
Cooling water mains		G3/4"
<b>Degree of protection</b>		IP54
<b>Dimensions W/H/D</b>	mm	432/1350/1554
<b>Weight</b>	kg	265
<b>Color</b>	RAL	9006/7016
<b>Ambient temperature</b>		
max.	°C	40
<b>Noise level</b>	db (A)	< 70



Regloplas AG

Flurhofstrasse 158 • 9006 St.Gallen • Schweiz • T +41 71 2825800  
F +41 71 2825840 • info@regloplas.com • www.regloplas.com

## Standard equipment

- Solid-state relay (SSR) instead of heating contactor
- Manual shut-off valve in the inlet and outlet
- Water circuit of non-rusting materials
- Automatic water refill
- Filter in the main circuit
- Filter in the cooling water circuit
- Leak-free pump
- Patented low-scale cooling system "SK"
- Pressure gauge outlet
- Pressure gauge for system pressure
- Unit in IP54 protection degree

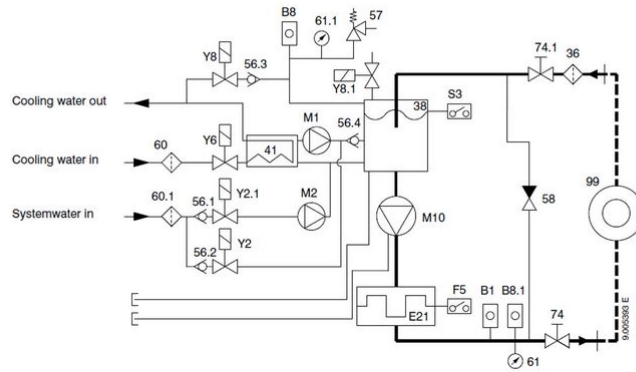
## Options

- Electronic flow measurement



Regloplas AG

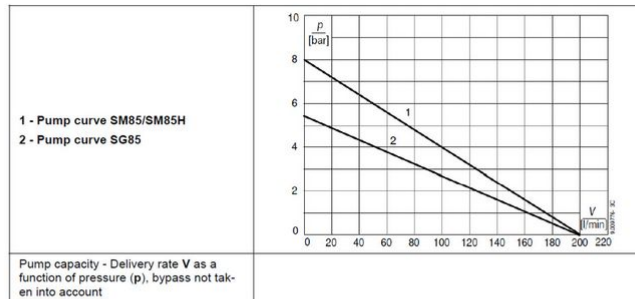
Flurhofstrasse 158 • 9006 St.Gallen • Schweiz • T +41 71 2825800  
F +41 71 2825840 • [info@regloplas.com](mailto:info@regloplas.com) • [www.regloplas.com](http://www.regloplas.com)



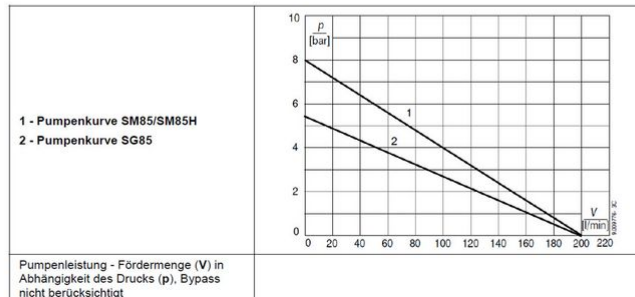
36 Filter main circuit	60 Filter cooling circuit	E21 Heater	Y2 Solenoid valve, automatic
38 Tank	61 Pressure gauge	F5 Safety thermostat	water refill
41 Cooler	61.1 Pressure gauge	M1 Cooling pump (cooler "SK")	Y2.1 Solenoid valve, water refill
56.1 One-way check valve	74 Hand valve	M2 Filling pump	(pressure control)
56.2 One-way check valve	74.1 Hand valve	M10 Pump	Y6 Solenoid valve, cooling
56.3 One-way check valve	99 Consumer	M10 Pump	Y8 Solenoid valve, pressure release
56.4 One-way check valve	B1 Temperature sensor internal	S3 Level control	Y8.1 Solenoid valve, additional
58 Bypass	B8 System pressure sensor		pressure release
57 Safety valve	B8.1 Outlet pressure sensor		

36 Filter Hauptkreislauf	60 Filter Kühlkreislauf	E21 Heizung	Y2 Magnetventil automatische
38 Behälter	61 Manometer	F5 Sicherheitsthermostat	Wassernachfüllung
41 Kühler	61.1 Manometer	M1 Kühlpumpe (Kühler "SK")	Y2.1 Magnetventil Wassernachfüllung
56.1 Rückschlagventil	74 Handventil	M2 Füllpumpe	(Druckregelung)
56.2 Rückschlagventil	74.1 Handventil	M10 Pumpe	Y6 Magnetventil Kühlung
56.3 Rückschlagventil	99 Verbraucher	M10 Pumpe	Y8 Magnetventil Druckentlastung
56.4 Rückschlagventil	B1 Temperaturfühler intern	S3 Niveauekontrolle	Y8.1 Magnetventil Zusatzdruckentlastung
58 Bypass	B8 Drucksensor Systemdruck		
57 Sicherheitsventil	B8.1 Drucksensor Vorlaufdruck		

## Graph (pump capacity)



## Diagramm (Pumpenleistung)



Regloplas AG

Flurhofstrasse 158 • 9006 St.Gallen • Schweiz • T +41 71 2825800  
F +41 71 2825840 • info@regloplas.com • www.regloplas.com