

multiFlow compact 200

The multiple distributor system is fully integrated within the control system of the temperature control unit. Each circuit is configured and monitored separately. Not suitable for harsh environmental conditions, such as: die casting.



- Compact four-way distributor on the temperature control unit or on the machine
- Fully integrated within the control system of the temperature control unit
- Saves costs and energy as fewer temperature control units are required
- Four-way distributor for temperatures up to 200 °C with manual ball valves
- Up to max. 4 x 4 temperature control circuits per TCU are feasible
- Allows the use of the full flow rate with full pump output in parallel-connected temperature control circuits
- Eliminates the risk of calcification or blockage in one of the circuits from affecting all the others

Outlet temperature	Heat transfer medium	Number of channels	Flow measurements per channel (Typ)	Connections
200 °C	Water	4	3 - 30 (F181) l/min	G3/4" G1/2"



Regloplas AG

Flurhofstrasse 158 • 9006 St.Gallen • Schweiz • T +41 71 2825800
F +41 71 2825840 • info@regloplas.com • www.regloplas.com

Technical data		
Heat transfer medium		Water
Outlet temperature		
max.	°C	200
Number of channels		4
Sensors		
Flow measurement per channel (Typ)	l/min	3 - 30 (F181)
Temperature measurement per channel		PT100
Models		
Cooling channels		4
Control system		RT100 / RT200
Operating voltage	V/Hz	24V DC
Connections		
Main connection temperature control unit		G3/4"
Outlets to consumer		G1/2"
Dimensions W/H/D		
manual	mm	237/120/590
Color	RAL	7016
Ambient temperature		
max.	°C	40
Noise level	db (A)	--

Standard equipment

Profinet interface connection to temperature control unit

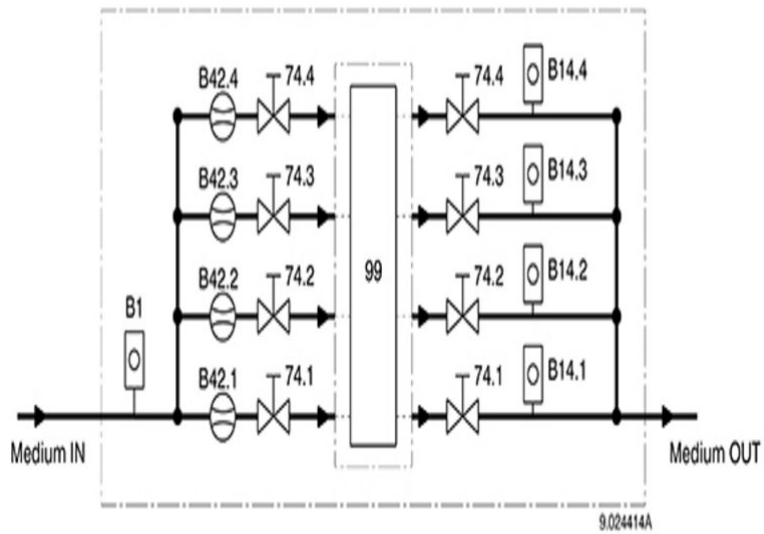
Options

Ball valve manual setting



Regloplas AG

Flurhofstrasse 158 • 9006 St.Gallen • Schweiz • T +41 71 2825800
F +41 71 2825840 • info@regloplas.com • www.regloplas.com



99	Consumer	99	Verbraucher
B1	Internal temperature sensor	B1	Temperaturfühler Vorlauf
B14.1 - B14.4	Inlet temperature sensor	B14.1 - B14.4	Temperaturfühler Rücklauf
B42.1 - B42.4	Flow rate meter	B42.1 - B42.4	Durchflussmessgerät
74.1 - 74.4	Ball valve (automatic or manually)	74.1 - 74.4	Kugelhahn (automatisch oder manuell)